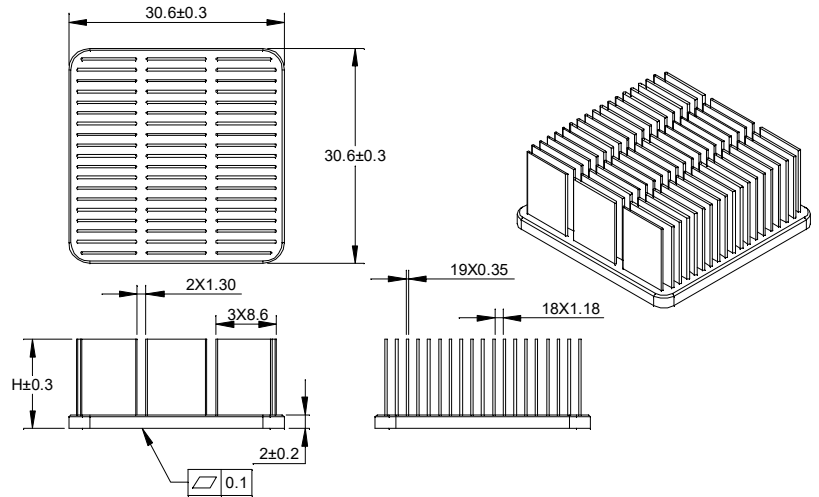


BGA Heat Sink Specification



- 1. Material : Al 1070
- 2. Dimension :
 Foot print : 30.6 x 30.6mm
 Height : 13 、 10 、 6 mm
 Base (thickness) : 2.0mm
- 3. Finish: Black Anodize



Performance

Heat Source (LxW)	12x12
-------------------	-------

