

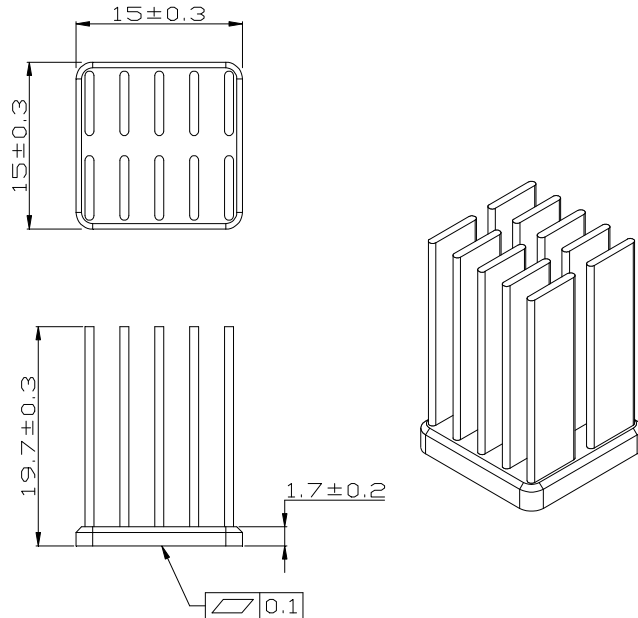


Model : MBH15001-20L/1.7

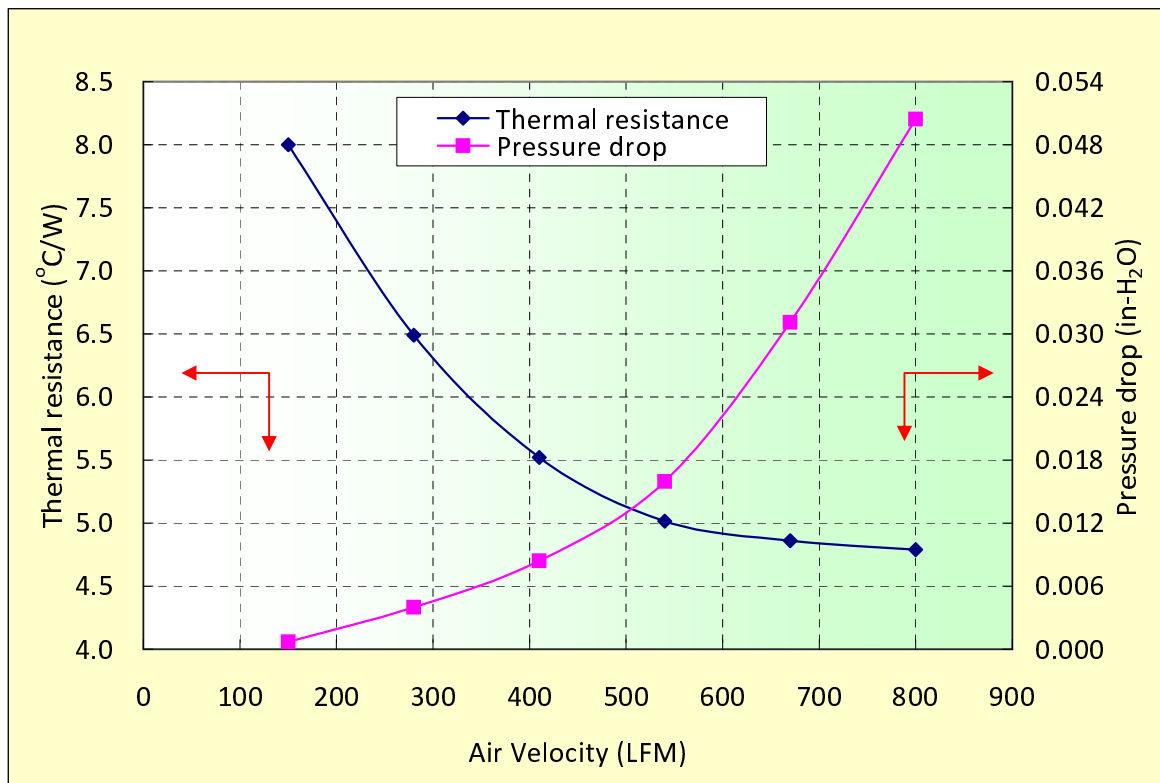


## Specification

1. Material : AL 6063
2. Dimension  
Foot print : 15.0 x 15.0 mm  
Height : 19.7mm  
Base : 1.7mm
3. Finish : Black Anodize



## Performance



Heat Source (L\*W) : 12 x 12 mm

Wind tunnel: 16 x 21 mm